

## Hotplate HP-200-Z-HMDS

The SAWATEC HP-200-Z-HMDS hotplate has been developed for standard soft bake and hard bake processes in lithography and similar applications. The multi-zone heating system (9 zones) ensures very high temperature distribution, which is adjustable for each zone. The hotplate also has a vacuum chamber and can be used as standard for bonding agent applications.

The temperature range is designed as standard up to 350° C. The HP-200-Z-HMDS offers very high uniformity and process repeatability and can be used for substrates up to 200mm.

Outstanding features of the hotplate are its robust design and ease of operation. The hotplate's modular design means that it can be used in a wide range of applications with high optional expandability (wet bench integration).



# HP-200-Z-HMDS

### FEATURES:

- ↗ Hotplate/Coolplate is divided into 9 zones
- ↗ Max. substrate size 200mm
- ↗ Substrate loading: manual
- ↗ Substrate fixation via vacuum
- ↗ Accuracy of temperature: +/-0,3°C per 100°C
- ↗ Digital temperature controller with actual-and nominal value
- ↗ Max. 20 segments per program
- ↗ Pneumatic lift of the lid
- ↗ Internal height max. 18mm max. substrate thickness 15mm
- ↗ Free programmable temp. ramp up with max. 10°C/min (25°-300°C)
- ↗ Free programmable temp. ramp down with max. 5°C/min (300°-40°C)

Tel: +423 377 17 90  
 Fax: +423 377 17 91  
 sales@sawatec.com  
 www.sawatec.com

SAWATEC AG  
 Industriestrasse 56  
 Postfach 514  
 FL-9491 Ruggell

For further information please contact our sales-department: sales@sawatec.com

Pictures may show standards with options.

OPTIONS

⇒ Protection glass

PROTECTION GLASS



- ⇒ Temperature range: 25 - 300°C
- ⇒ Accuracy of temperature: +/-0,3°C per 100°C
- ⇒ Substrate loading: manual
- ⇒ Substrate fixation via vacuum
- ⇒ Max. substrate size 200mm
- ⇒ Internal height max. 18mm: max. substrate thickness 15mm

- ⇒ 3x400VAC +P 50/60Hz (3,6kW)
- ⇒ Technical vacuum, tube Ø6/4mm
- ⇒ Exhaust-connector Ø32mm
- ⇒ Compressed air 4 bar, tube Ø6/4mm
- ⇒ N2-connector, tube Ø6/4mm
- ⇒ HMDS-connector, tube Ø6/4mm
- ⇒ Cooling water 3l/min by 18°C
- ⇒ Cooling water In/Out, tube Ø8/6mm (2pcs.)



For further information please contact our sales-department: [sales@sawatec.com](mailto:sales@sawatec.com)

Pictures may show standards with options.

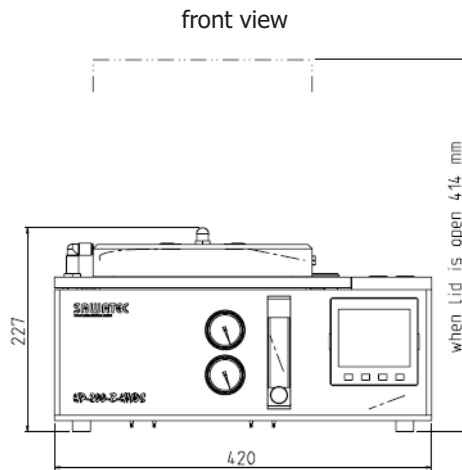
## PERFORMANCE

## REQUIRED MEDIA

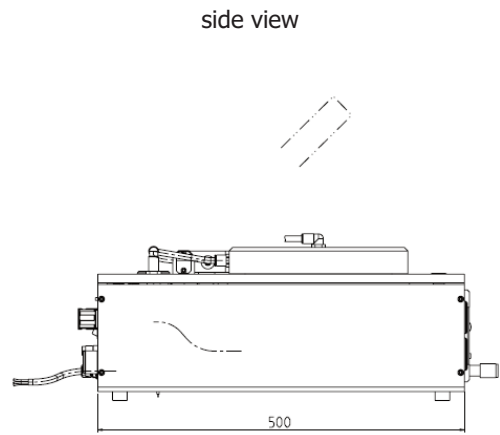
Tel: +423 377 17 90  
 Fax: +423 377 17 91  
[sales@sawatec.com](mailto:sales@sawatec.com)  
[www.sawatec.com](http://www.sawatec.com)

SAWATEC AG  
 Industriestrasse 56  
 Postfach 514  
 FL-9491 Ruggell

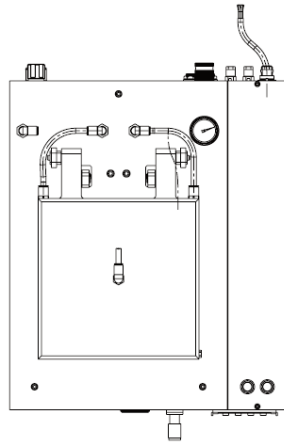
IEWS



front view



side view



top view

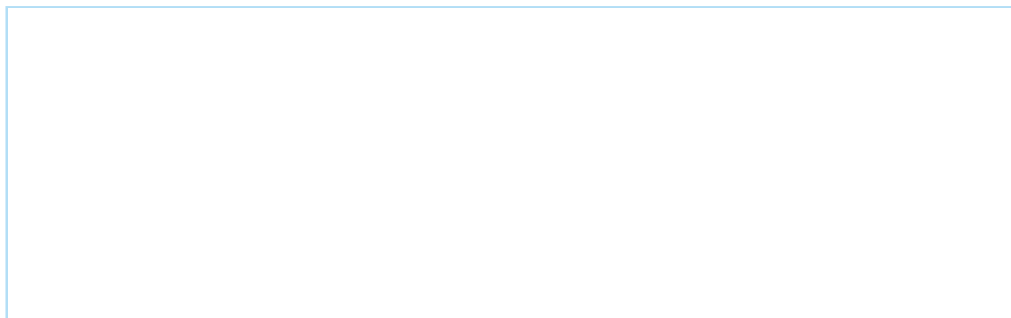
DIMENSIONS

- ⇒ Size: 420x500x230mm (LxBxH)
- ⇒ Hotplate size: 210x210mm
- ⇒ Weight: approx. 55kg

DESIGN

- ⇒ Housing: Anodised aluminium
- ⇒ Hotplate material: Anodised aluminium

DEALER



Tel: +423 377 17 90  
 Fax: +423 377 17 91  
 sales@sawatec.com  
 www.sawatec.com

SAWATEC AG  
 Industriestrasse 56  
 Postfach 514  
 FL-9491 Ruggell