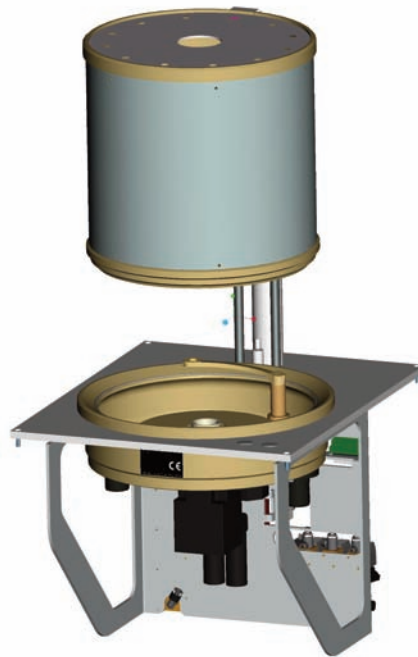


**Lab Resist Developer LRD-250-BM**

The instruments of the SAWATEC-LRD-line are easy to operate and to handle. The instruments of this line are available as Bench-Mounted or Cabinet-version. They are designed to clean, to develop and to etch wafers up to 8" or substrates up to 6" x 6" (150 x 150mm). The process-chamber works up to Ø 212mm.

The Developer-Modules of SAWATEC AG will convince you of process performance and repeatability combined with easy handling.

For pilot projects, institutes and R&D.



LRD-250-BM

**FEATURES:**

- ⇒ Processcontroller with Touch Panel 5,7" monochrom.
- ⇒ Processparameter: speed(rpm), acceleration, time(sec.), spray-time developer(sec.), speed of swivelarm, rins and dry
- ⇒ Start of process by start button or touch panel
- ⇒ Up to 50 recipes ( 24 segments per recipes)
- ⇒ Closed process chamber, for substrates up to 8" oder 6"x6" (212mm)
- ⇒ Heatable process hood up to 50°C
- ⇒ Electrical driven sprayarm, with dynamic or static function
- ⇒ Developer line, mediataink for one developer included (up to 4 developer lines possible)
- ⇒ Spray nozzle SN-20/08 made of PEEK on the sprayarm
- ⇒ Nozzle for DI-water-rinse on the sprayarm
- ⇒ Nozzle for N2 dry on the sprayarm
- ⇒ Control elements for compr. air and vacuum for dispensing included
- ⇒ Substrate loading: manual
- ⇒ Substrate fixation mechanically
- ⇒ Acoustic alarm when process has finalized

Tel: +423 377 17 90  
 Fax: +423 377 17 91  
 sales@sawatec.com  
 www.sawatec.com

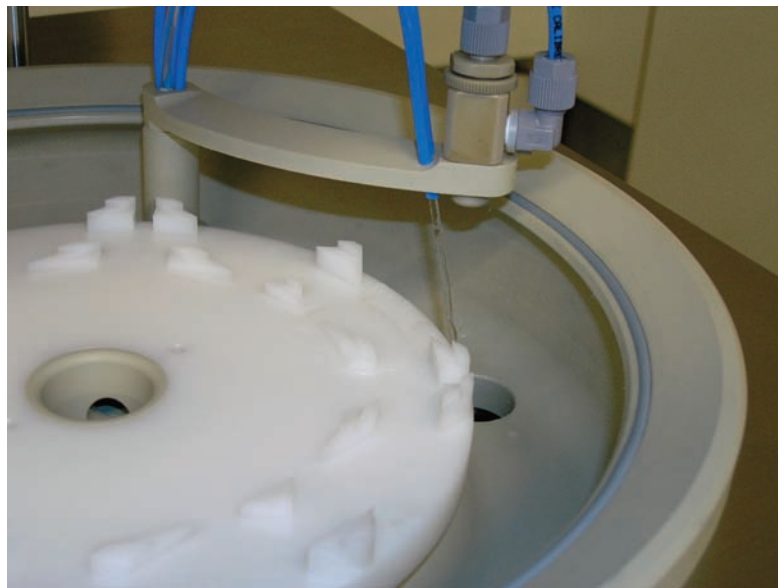
SAWATEC AG  
 Industriestrasse 56  
 Postfach 514  
 FL-9491 Ruggell

For further information please contact our sales-department: [sales@sawatec.com](mailto:sales@sawatec.com)

Pictures may show standards with options.

## OPTIONS

- ⇒ Additional developer line
- ⇒ Developer tank heating system (2ltr.)
- ⇒ Spray nozzle SN-20/0,8 made of PEEK, 0,8mm
- ⇒ Spray nozzle SN-20/0,5 made of PEEK, 0,5mm
- ⇒ Spray nozzle SN-20/0,3 made of PEEK, 0,3mm
- ⇒ Spray nozzle SN-20/0,8-IN made of stainless steel, 0,8mm
- ⇒ Spray nozzle SN-20/0,5-IN made of stainless steel, 0,5mm
- ⇒ Spray nozzle SN-20/0,3-IN made of stainless steel, 0,3mm

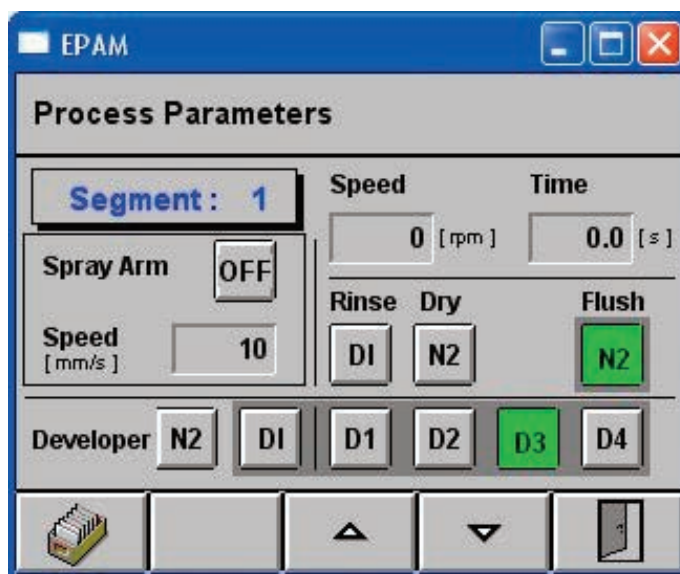


## CHUCKS

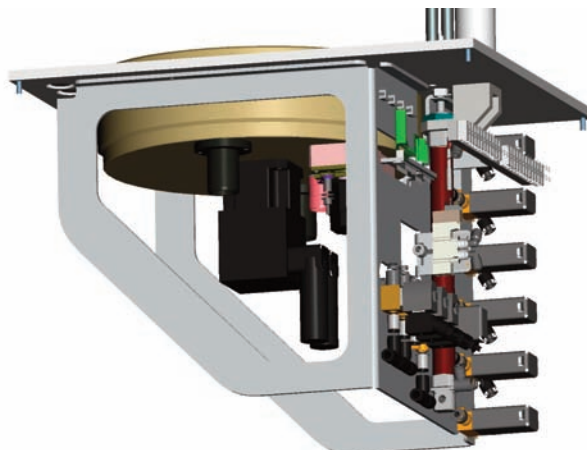
- ⇒ Mechanical Chuck 100mm(4") per 200mm (8") made of POM
- ⇒ Mechanical Chuck 100mm(4") per 200mm (8") made of stainless steel
- ⇒ Mechanical Chuck 125x125mm (5"x5") made of POM
- ⇒ Mechanical Chuck 125x125mm (5"x5") made of stainless steel
- ⇒ Combi Chuck mechanically (big) made of stainless steel  
Substrate: 6", 8", 4"x4", 5"x5", 6"x6"
- ⇒ Combi Chuck mechanically (big) made of POM  
Substrate: 6", 8", 5"x5", 6"x6"
- ⇒ Combi Chuck mechanically (small) made of stainless steel  
Substrate: 2", 3", 4", 3"x3"
- ⇒ Combi Chuck mechanically (small) made of POM  
Substrate: 2", 3", 4", 3"x3", 4"x4"
- ⇒ Special-chuck on request

## PERFORMANCE

- ↕ max. speed: 3'000rpm +/- 1rpm
- ↕ Processparameter: speed 3'000rpm  
acceleration 160rpm/sec<sup>2</sup>  
time 2376sec  
spray-time-developer 99sec/segment  
speed swivelarm (mm/sec)  
rins 99sec/segment  
N2-dry 99sec/segment
- ↕ Recipes: up to 50 recipes(depends on the size of each recipe)
- ↕ Segments: up to 24 segments
- ↕ Closed process chamber: Stainless steel or polypropylene for substrates up to 8" oder 6"x6" (212mm)
- ↕ Heatable process hood up to 50°C



- ↕ 240VAC 50/60Hz 16A
- ↕ Plugconnector for foot switch
- ↕ Compressed air tube Ø6/4mm (6bar)
- ↕ Nitrogen N2 tube Ø6/4mm (4bar)
- ↕ DI-water tube Ø6/4mm (3bar)
- ↕ Exhaust-connector 2x Ø32mm (40-60m<sup>3</sup>/h)



## REQUIRED MEDIA

For further information please contact our sales-department: [sales@sawatec.com](mailto:sales@sawatec.com)

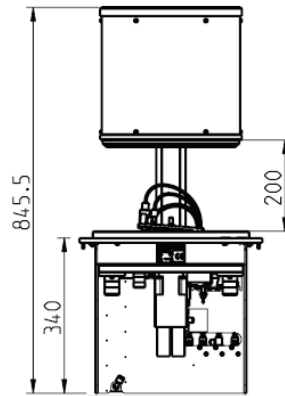
Pictures may show standards with options.

Tel: +423 377 17 90  
Fax: +423 377 17 91  
sales@sawatec.com  
www.sawatec.com

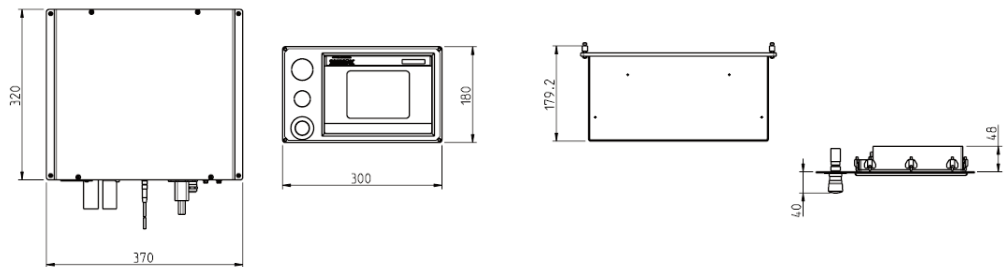
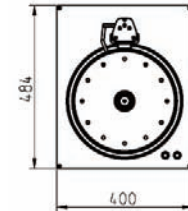
SAWATEC AG  
Industriestrasse 56  
Postfach 514  
FL-9491 Ruggell

## VIEWS

front view



top view



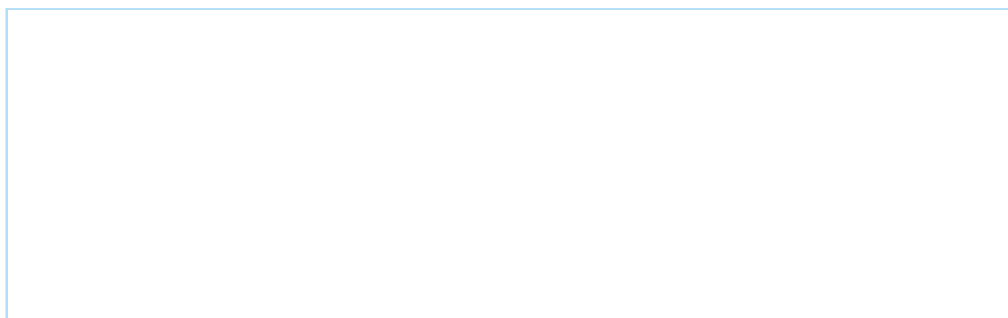
## DIMENSIONS

- ↪ Size frontpanel: 300x180x600mm (LxBxH)
- ↪ Size Module: 484x400x340mm (LxBxH)
- ↪ Size E-Cabinet: 320x370x170mm (LxBxH)
- ↪ Weight: approx. 60kg

## DESIGN

- ↪ Frame-slab: Aluminium hart coated / Polypropylene
- ↪ Processbowl: Stainless steel / Polypropylene
- ↪ Processhood: Stainless steel / Polypropylene

## DEALER



Tel: +423 377 17 90  
 Fax: +423 377 17 91  
 sales@sawatec.com  
 www.sawatec.com

SAWATEC AG  
 Industriestrasse 56  
 Postfach 514  
 FL-9491 Ruggell

For further information please contact our sales-department: sales@sawatec.com

Pictures may show standards with options.