

Softbake Module SBM-500

The SAWATEC SBM-500 soft bake module has been developed for standard soft bake processes in lithography and similar applications. The temperature range is designed as standard up to 150° C. The soft bake module offers high uniformity and process repeatability and can be used for substrates up to 300mm or 9 x 100mm.

Outstanding features of the hotplate are its robust design and ease of operation. The hotplate's modular design means that it can be used in a wide range of applications with high optional expandability.



SBM-500

FEATURES:

- ↕ Heating ramp up 20 program-steps
- ↕ Manually controlled hotplate-drawer
- ↕ Internal height max. 18mm max. substrat thickness 15mm
- ↕ Max. substrate size 450mm or max. 9x150mm
- ↕ Substrate loading: manual
- ↕ Digital temperaturcontroller with actual-and nominal value
- ↕ Processtime up to 24h
- ↕ Substrat fixation via vacuum

Tel: +423 377 17 90
 Fax: +423 377 17 91
 info@sawatec.com
 www.sawatec.com

SAWATEC AG
 Industriestrasse 56
 Postfach 514
 FL-9491 Ruggell

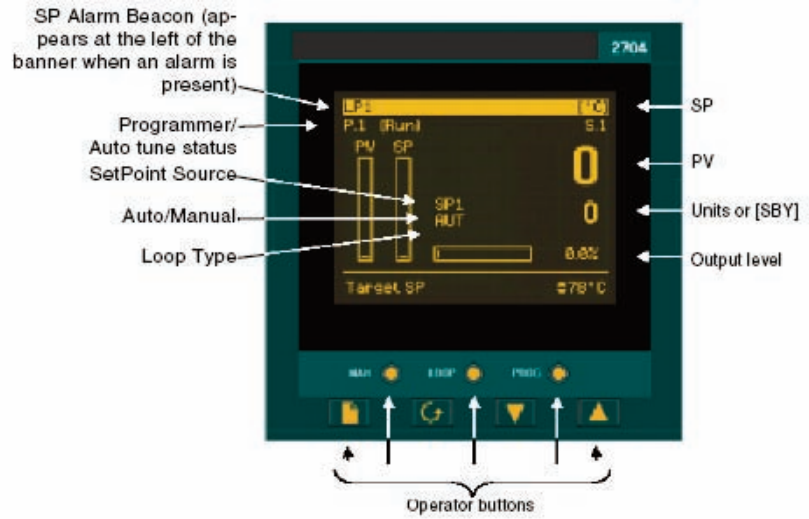
For further informations please contact our sales-department: sales@sawatec.com

Pictures may show standards with options.

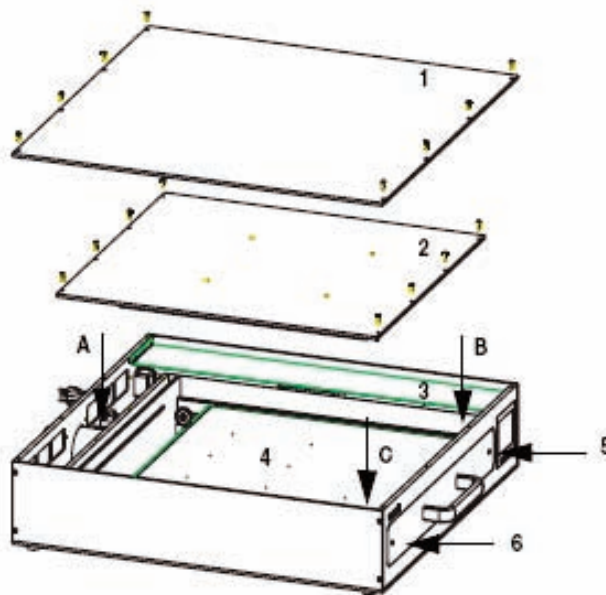
SBM-500

OPTIONS

TEMP.-CONTROLLER



LEVELING



- ⇒ Temperature range: 25 - 150°C
- ⇒ Accuracy of temperature: +/-2°C bei 100°C
- ⇒ Substrate loading: manual
- ⇒ Substrat fixation via vacuum
- ⇒ Max. substrate size 450mm or max. 9x150mm
- ⇒ Internal height max. 18mm max. substrat thickness 15mm
- ⇒ Processtime up to 24h

- ⇒ 240 VAC 50/60Hz (1750 W)
- ⇒ Exhaust-connector Ø65mm
- ⇒ Technical vacuum tube Ø6/4mm



For further informations please contact our sales-department: sales@sawatec.com

Pictures may show standards with options.

PERFORMANCE

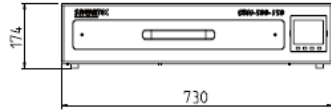
REQUIRED MEDIAS

Tel: +423 377 17 90
 Fax: +423 377 17 91
 info@sawatec.com
 www.sawatec.com

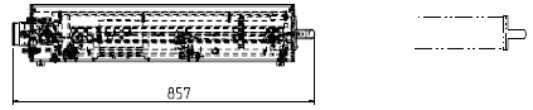
SAWATEC AG
 Industriestrasse 56
 Postfach 514
 FL-9491 Ruggell

VIEWS

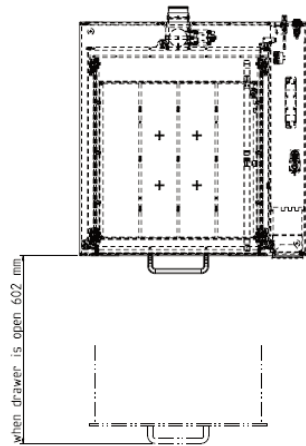
front view



side view



top view



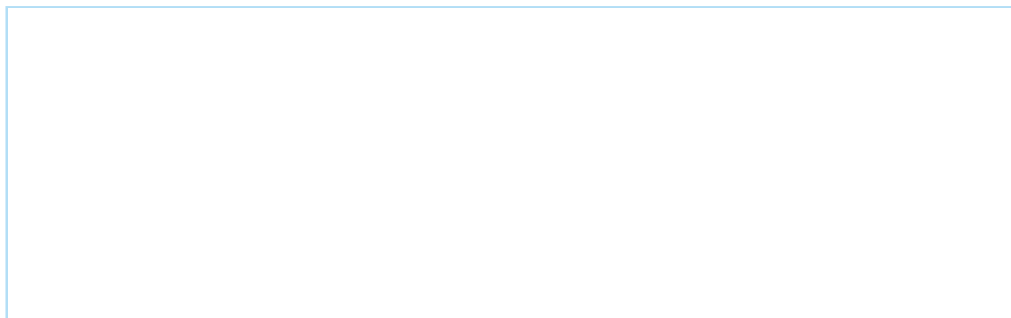
DIMENSIONS

- ⇒ Size: 730x860x180mm (LxBxH)
- ⇒ Hotplate size: 500x500mm
- ⇒ Weight: approx. 50kg

DESIGN

- ⇒ Housing: Anodised aluminium
- ⇒ Hotplate material: Anodised aluminium

DEALER



Tel: +423 377 17 90
Fax: +423 377 17 91
info@sawatec.com
www.sawatec.com

SAWATEC AG
Industriestrasse 56
Postfach 514
FL-9491 Ruggell

For further informations please contact our sales-department: sales@sawatec.com

Pictures may show standards with options.